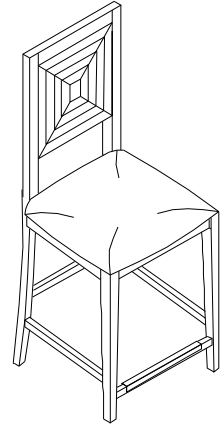


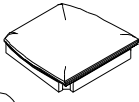



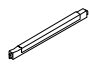
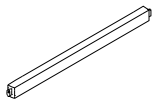
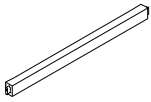







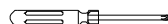
Warning :

- Be sure to check all packing material carefully for small parts, which may have come loose inside the carton during shipment.
- To prevent possible scratches and damage, this furniture must be assembled on a soft surface such as a blanket or carpet.

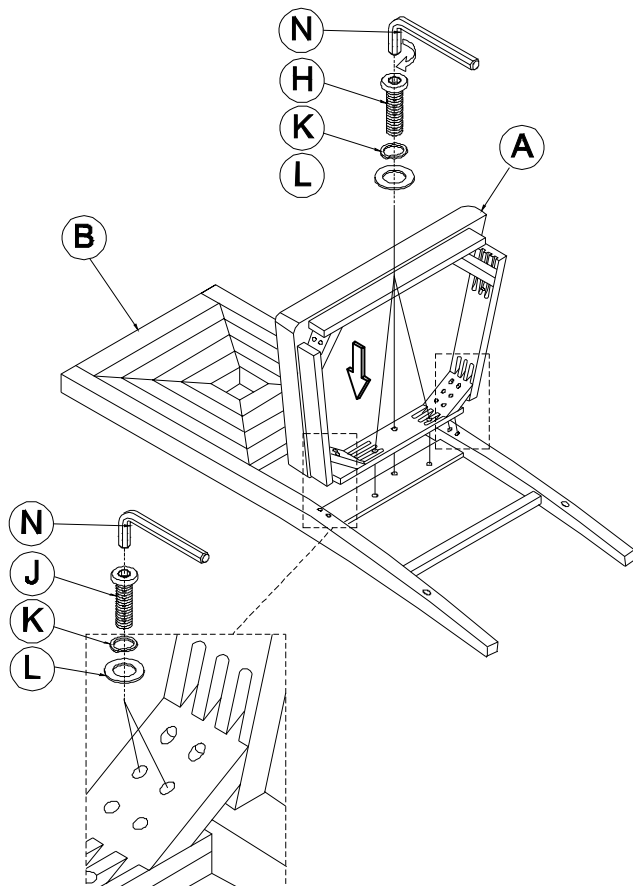


73443
UPH WOOD-BK CNTR STOL 2IN

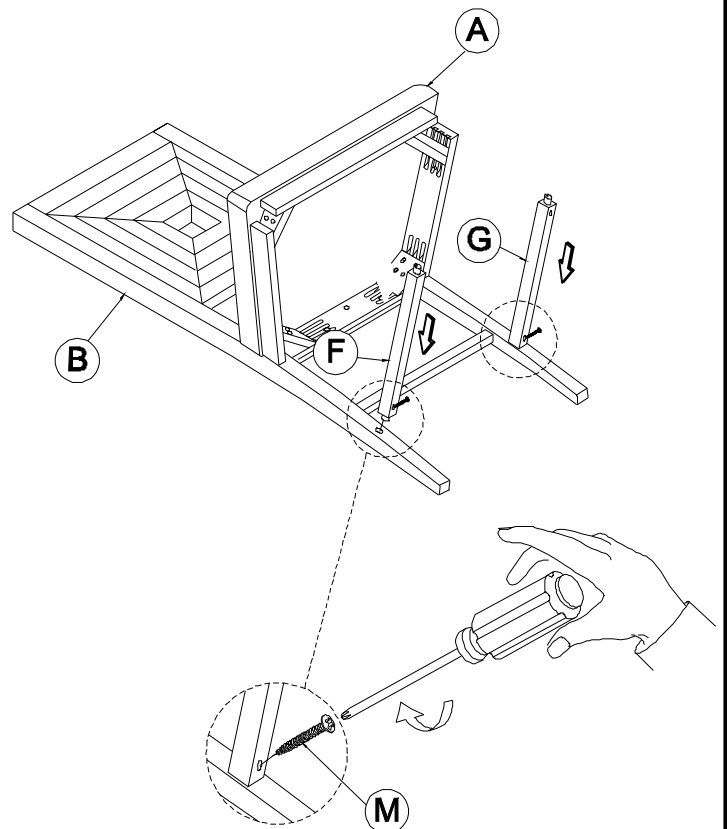
Components and Hardware List

Seat Cushion  A 1 pc.	Chair Back  B 1 pc.	Front Leg (Left)  C 1 pc.	Front Leg (Right)  D 1 pc.	Front Stretcher  E 1 pc.		
Side Stretcher (Left)  F 1 pc.	Side Stretcher (Right)  G 1 pc.	Allen Head Bolt 5/16"-18 x 1-3/4"  H 3 pcs.	Allen Head Bolt 5/16"-18 x 2"  I 4 pcs.	Allen Head Bolt 5/16"-18 x 3-1/4"  J 4 pcs.	Spring Washer 5/16" x 12 x 3mm  K 11 pcs.	Flat Washer 5/16" x 19 x 2mm  L 11 pcs.
Wood Screw #8 x 1-1/4"  M 6 pcs.	Allen Key 5mm  N 1 pc.	Tool Required (Not provided) Phillips Screwdriver 				

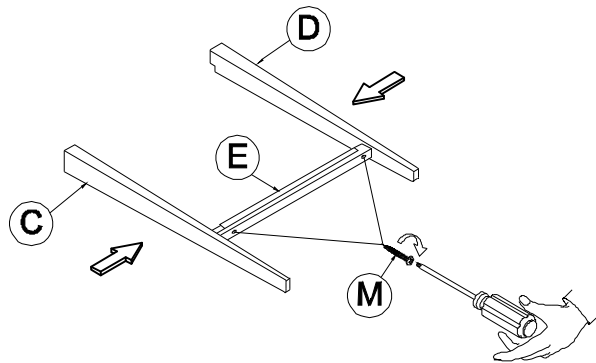
STEP 1: Do not fully tighten the bolts



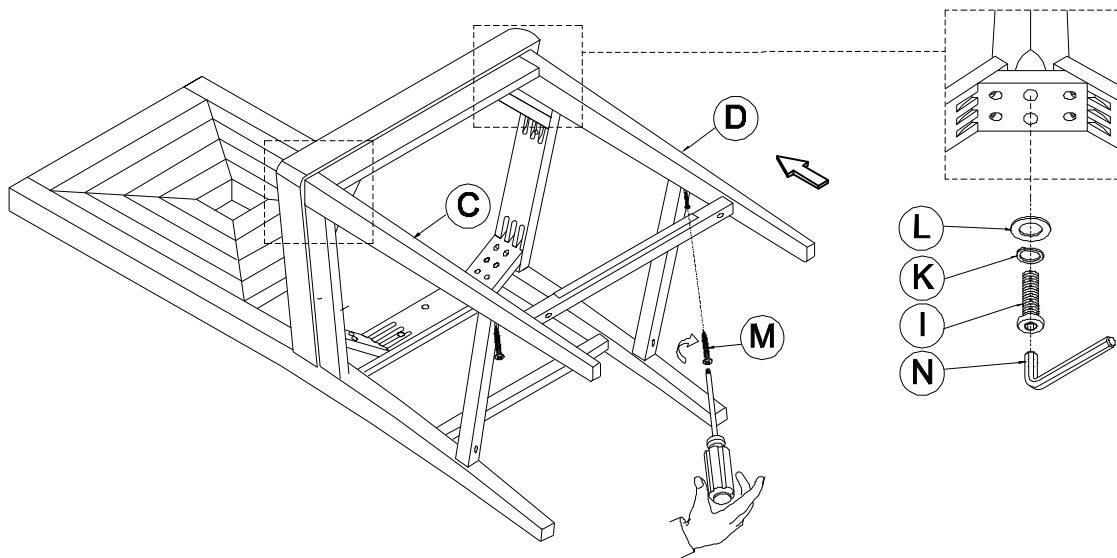
STEP 2: Do not fully tighten the screws



STEP 3:



STEP 4: Using the Allen Key to tighten all bolts



STEP 5: Using the Philips Head Screw driver to tighten all screws

COMPLETE

